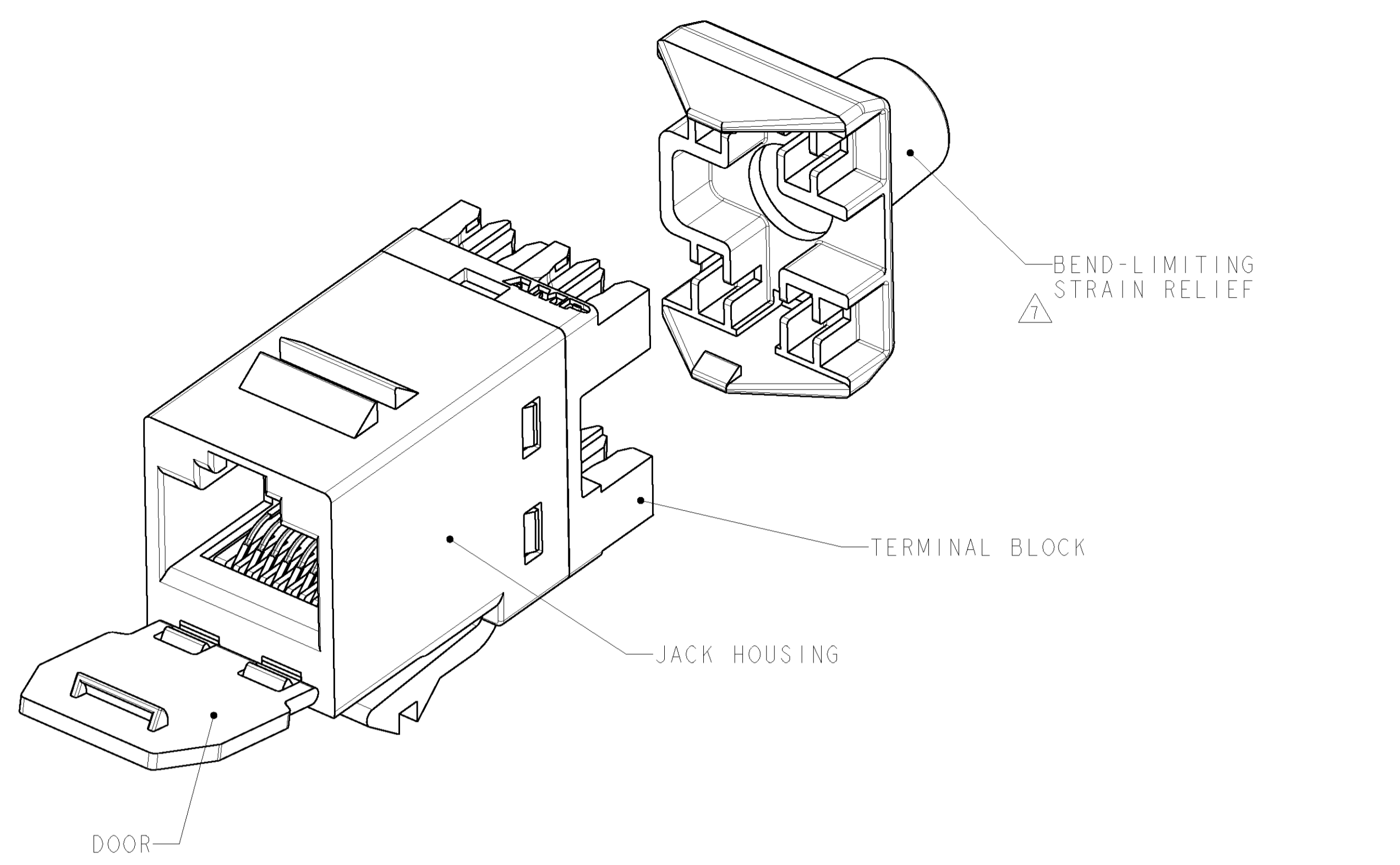
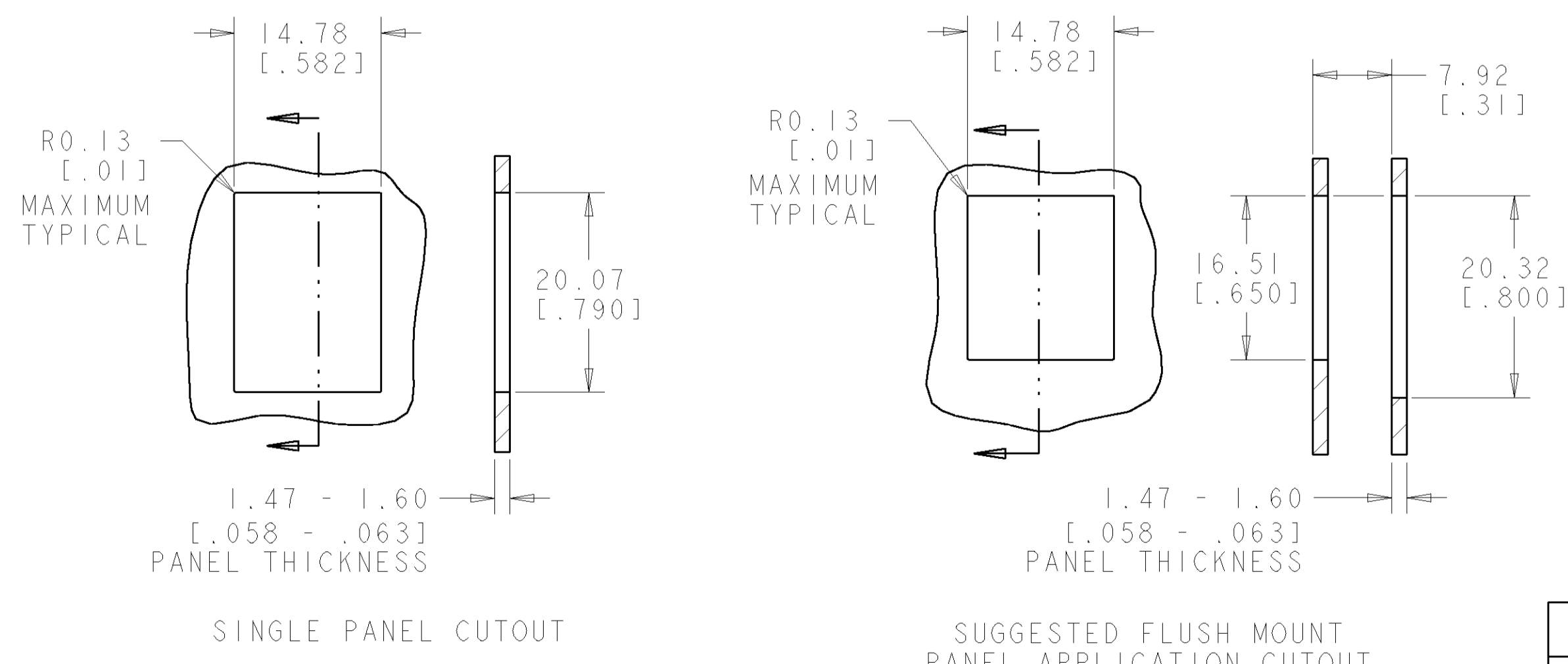
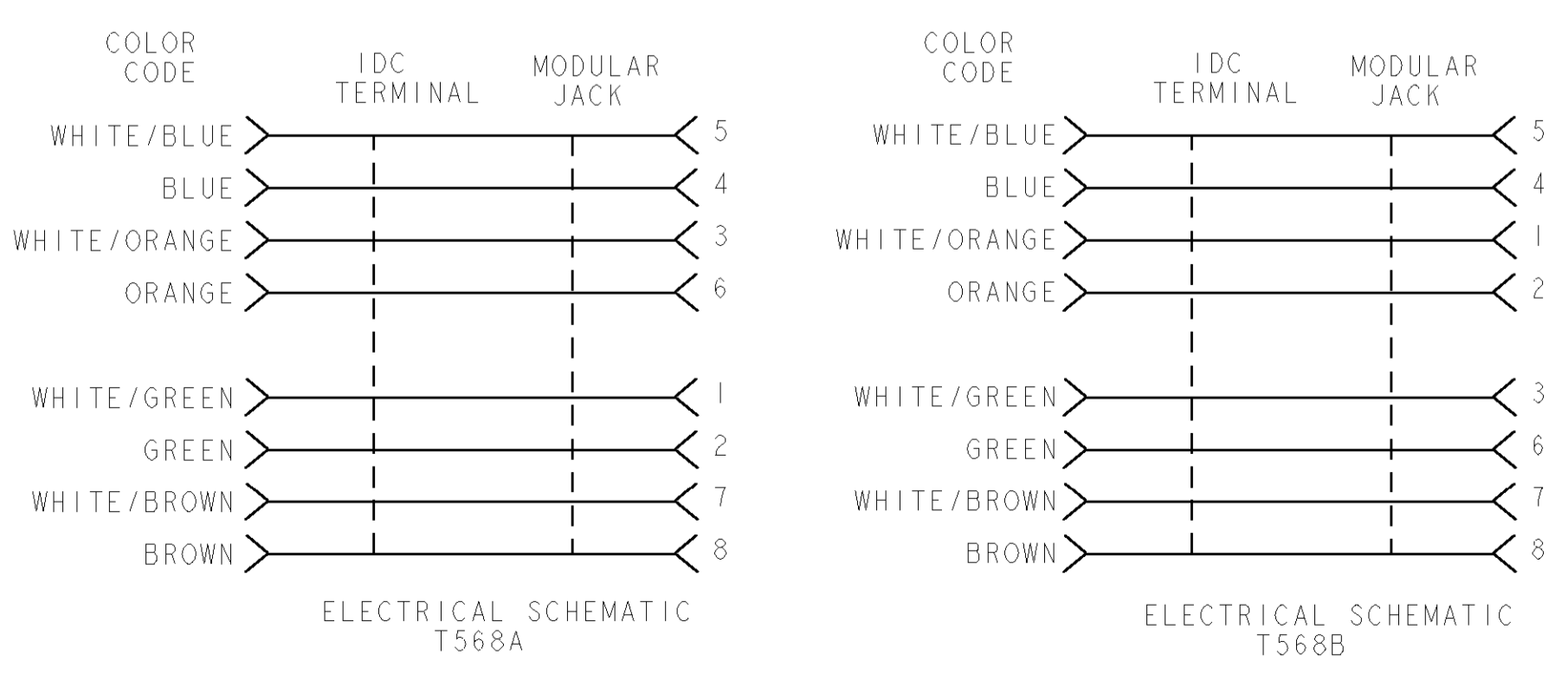
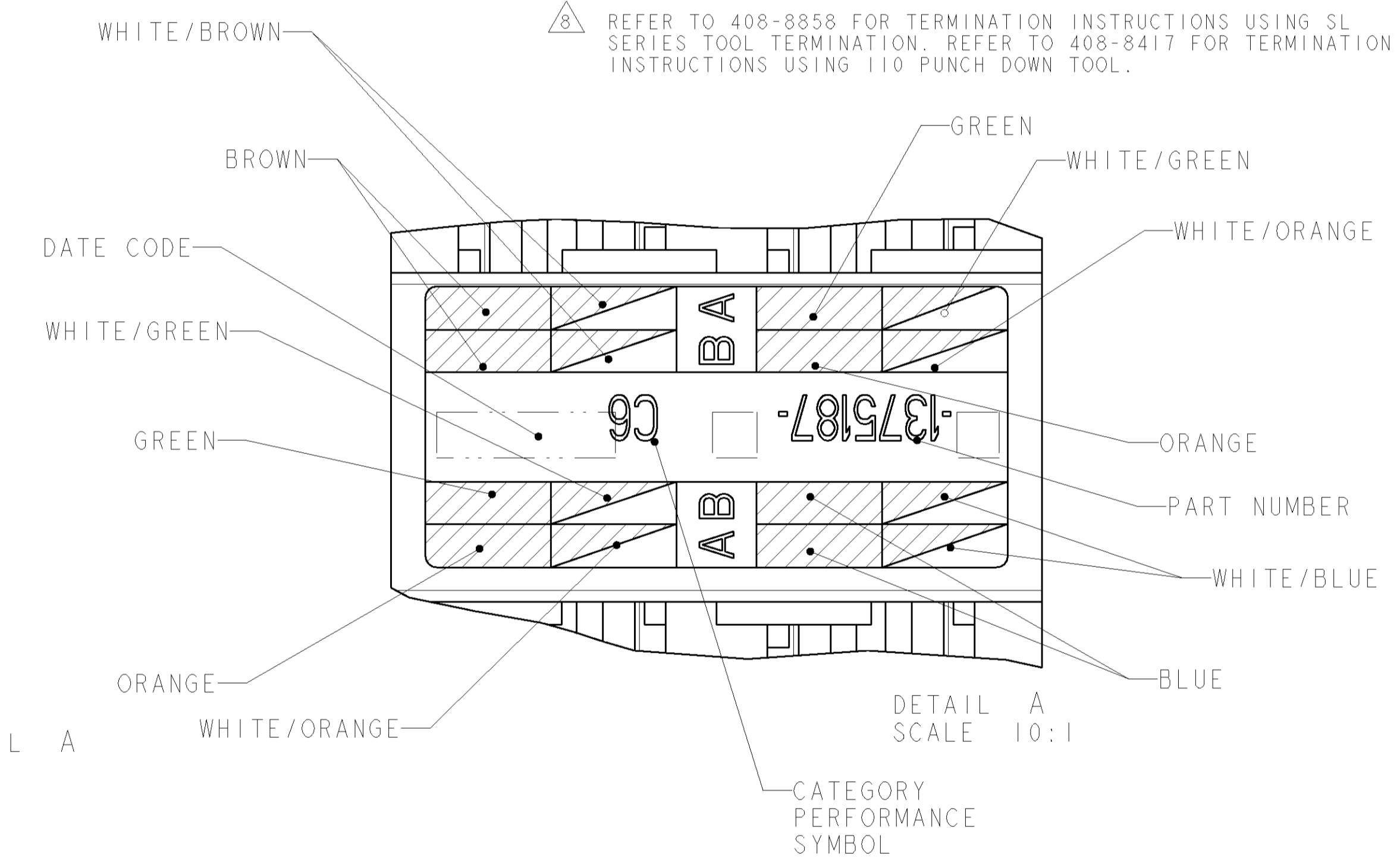
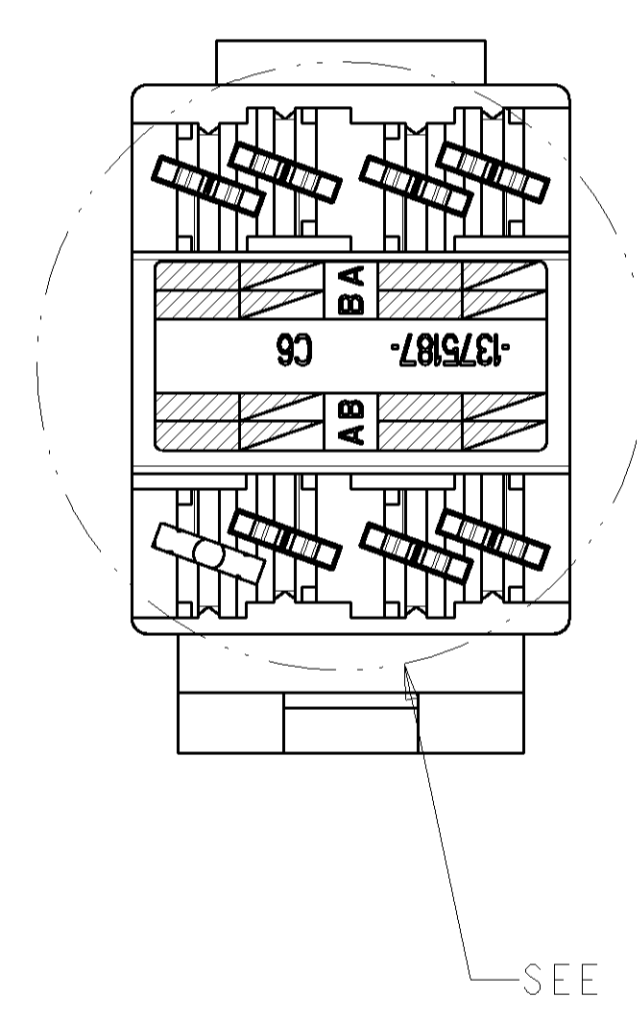
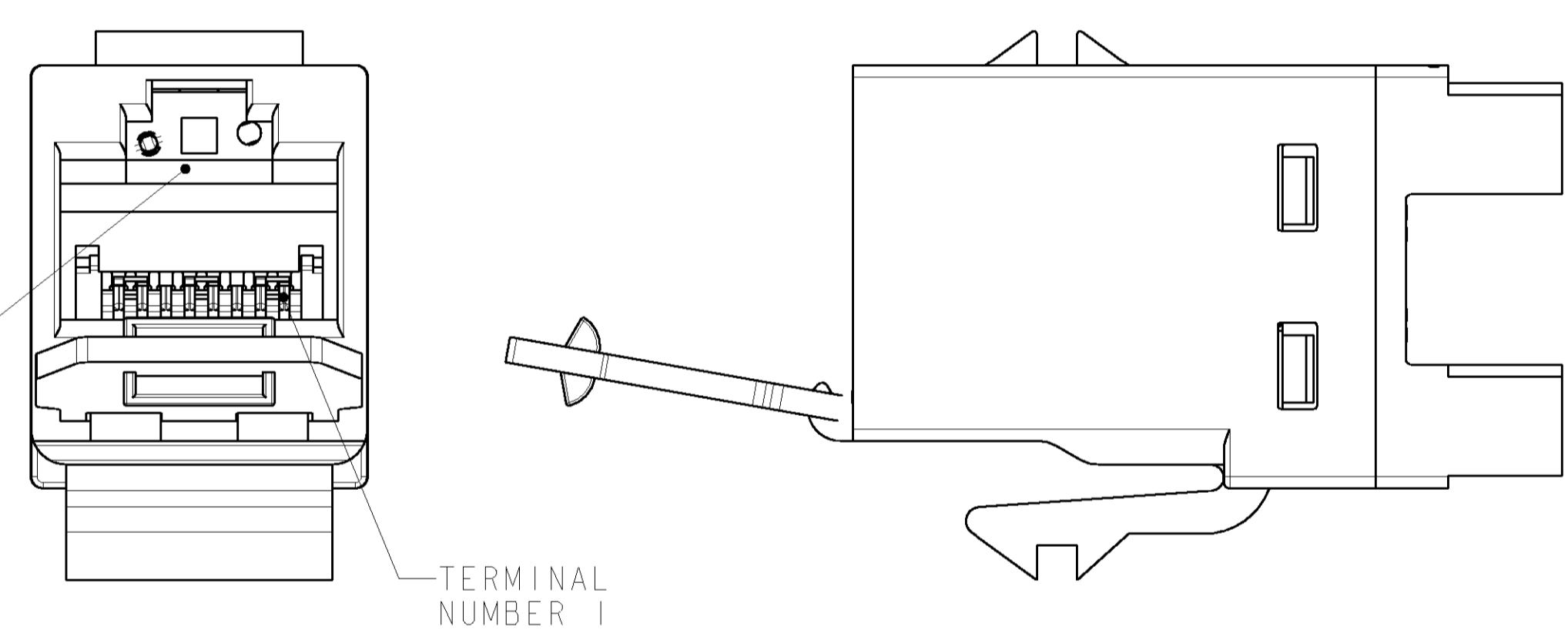


LOC	DIST	REV	DATE	BY	APPD
HM	00	B	11OCT2004	LS	CD
		C	30MAY2006	JM	BM
		D	25OCT2006	GG	BM
		E	13JUL2007	GG	SA



1. MATERIAL: JACK HOUSING - POLYPHENYLENE OXIDE, 94V-0 RATED. 110 BLOCK, STRAIN RELIEF AND DOOR - POLYCARBONATE. ARRAY TRAY - PBT POLYESTER. JACK CONTACTS ARRAY - BERYLLIUM COPPER, PLATED WITH 1.27µm [.000050] MINIMUM THICK GOLD IN LOCALIZED AREA AND 3.81µm [.000150] MINIMUM THICK MATTE TIN IN SOLDER AREA OVER 1.27µm [.000050] MINIMUM THICK NICKEL UNDERPLATE. IDC TERMINALS - PHOSPHOROUS BRONZE, PLATED WITH 3.81µm [.00015] MINIMUM THICK MATTE TIN OVER 1.27µm [.00005] MINIMUM THICK NICKEL UNDERPLATE.
2. SL 110 JACK WILL TERMINATE 22-24 AWG SOLID AND 24-26 AWG STRANDED CONDUCTORS. 1.27(.050) MAXIMUM INSULATION DIAMETER. JACK WILL ACCEPT CONDUCTORS UP TO 1.45 (.057) BUT REQUIRE THE USE OF A STRAIN RELIEF.
3. CAVITY CONFORMS TO FCC RULES AND REGULATIONS) PART 68 SUBPART F REQUIREMENTS.
4. MOUNTING PANEL THICKNESS 1.47 - 1.60 [.058 - .063].
5. THESE TWO SUGGESTED CUTOUT OPENINGS ARE USED IN TANDEM WITH DUAL FRONT AND BACK CUTOUTS.
6. ONE MODULAR JACK ASSEMBLY PER POLYBAG.
7. USE OF STRAIN RELIEF IS OPTIONAL.
8. REFER TO 408-8858 FOR TERMINATION INSTRUCTIONS USING SL SERIES TOOL TERMINATION. REFER TO 408-8417 FOR TERMINATION INSTRUCTIONS USING 110 PUNCH DOWN TOOL.



PACKAGE	HOUSING COLOR	PART NUMBER
	ELECTRIC IVORY	1-1375187-1
	VIOLET	1-1375187-0
	GREEN	1375187-9
	YELLOW	1375187-8
	RED	1375187-7
	BLUE	1375187-6
	ORANGE	1375187-5
	NEMA GRAY	1375187-4
	WHITE	1375187-3
	BLACK	1375187-2
	LIGHT ALMOND	1375187-1

DIMENSIONS: [MM] [INCHES] TOLERANCES UNLESS OTHERWISE SPECIFIED: 0 PLC ± 1 PLC ± 2 PLC ± 3 PLC ± 4 PLC ± ANGLES ±		DWN T. PITTS 08NOV01 ENR L. SMITH 08NOV01 APPD C. DOOLEY 08NOV01 PRODUCT SPEC 108-1990 APPLICATION SPEC 108-1990-3 WEIGHT - CUSTOMER DRAWING		<b>tyco</b> <b>Electronics</b> Tyco Electronics Harrisburg, PA 17105-3608	
MATERIAL - FINISH -		NAME ASSEMBLY, SL 110 JACK, CAT 6 DUST COVER SIZE CAGE CODE DRAWING NO. A1 00779 C-1375187 RESTRICTED TO -		SCALE 4:1 SHEET 1 OF 1 REV E	